

# NICE BUILT-IN BURNERS™

[www.decoflame.com](http://www.decoflame.com)



Nice Built-in Burners™ is designed to add the coziness and wild romantic of an open fire to both indoor and outdoor spaces.



# NICE BUILT-IN BURNERS™

www.decoflame.com

2D Cad Nice Round Built-in

2D Cad Nice Square Tower Built-in

2D Cad Nice Square Lounge Built-in

3D STEP Nice Round Built-in

3D STEP Nice Square Tower Built-in

3D STEP Nice Square Lounge Built-in

## FEATURES

- decoflame® brushed stainless steel manual burner
- Indoor/outdoor
- Glass screen
- No chimney required
- No smoke, ash or soot
- Shutter tool
- lighter
- Fuel Funnel

## TECHNICAL INFORMATION

**Capacity:** Lounge 1,25L / Tower 1,8L / Round 1,8L

**Fuel consumption:** 0,3l/h

**Burning time:** up to 6h

**Heat output:** 1,8 kW/h

**Net weight:** 7,5kg / 12kg / 7,5kg

**Materials:** Burner - brushed stainless steel and hardened glass.

**Finish:** Brushed stainless steel.



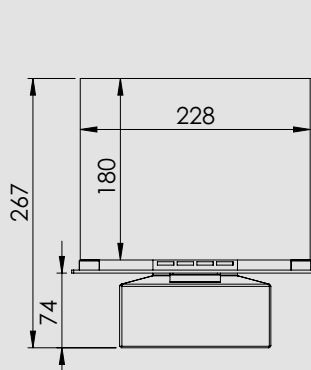
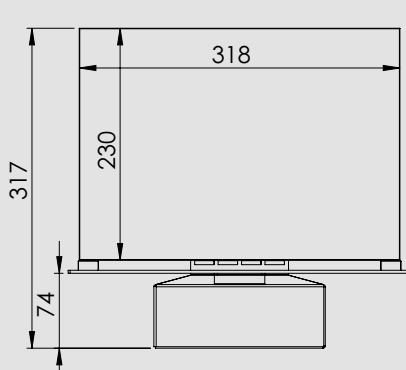
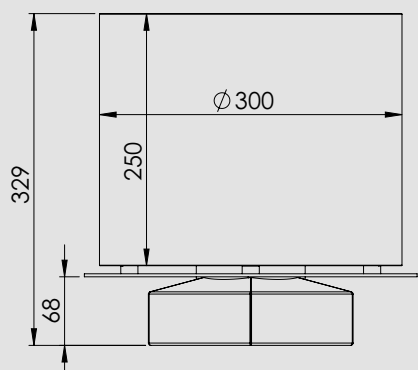
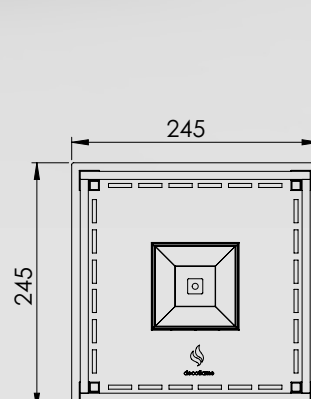
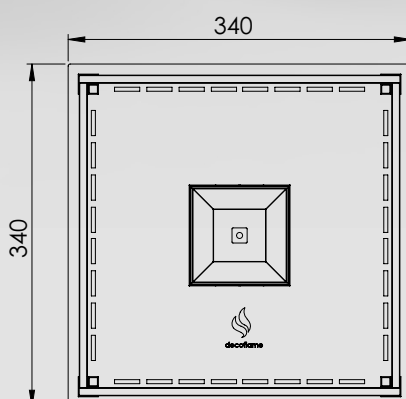
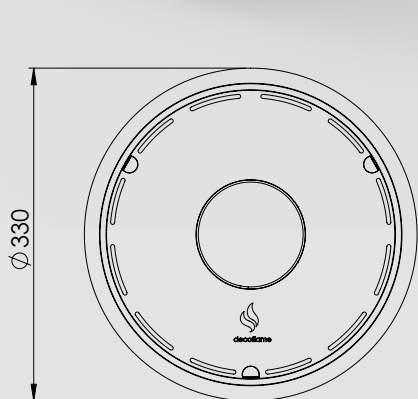
Nice Round™ Built-in



Nice Square Tower™ Built-in

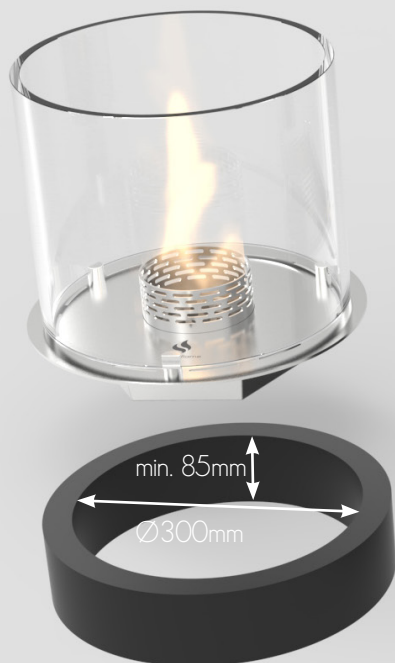


Nice Square Lounge™ Built-in

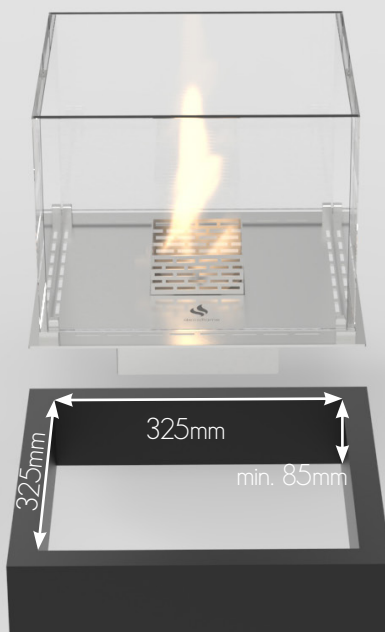


# NICE BUILT-IN BURNERS™

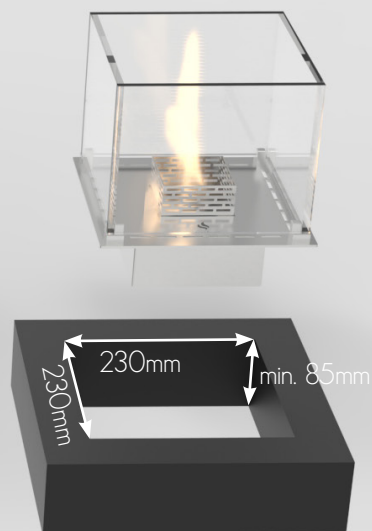
www.decoflame.com



Nice Round™ Built-in  
Wall cut-out dimensions  
Ø300mm min. 85mm



Nice Square Tower™ Built-in  
Wall cut-out dimensions  
325x325x85mm



Nice Square Lounge™ Built-in  
Wall cut-out dimensions  
230x230x85mm

